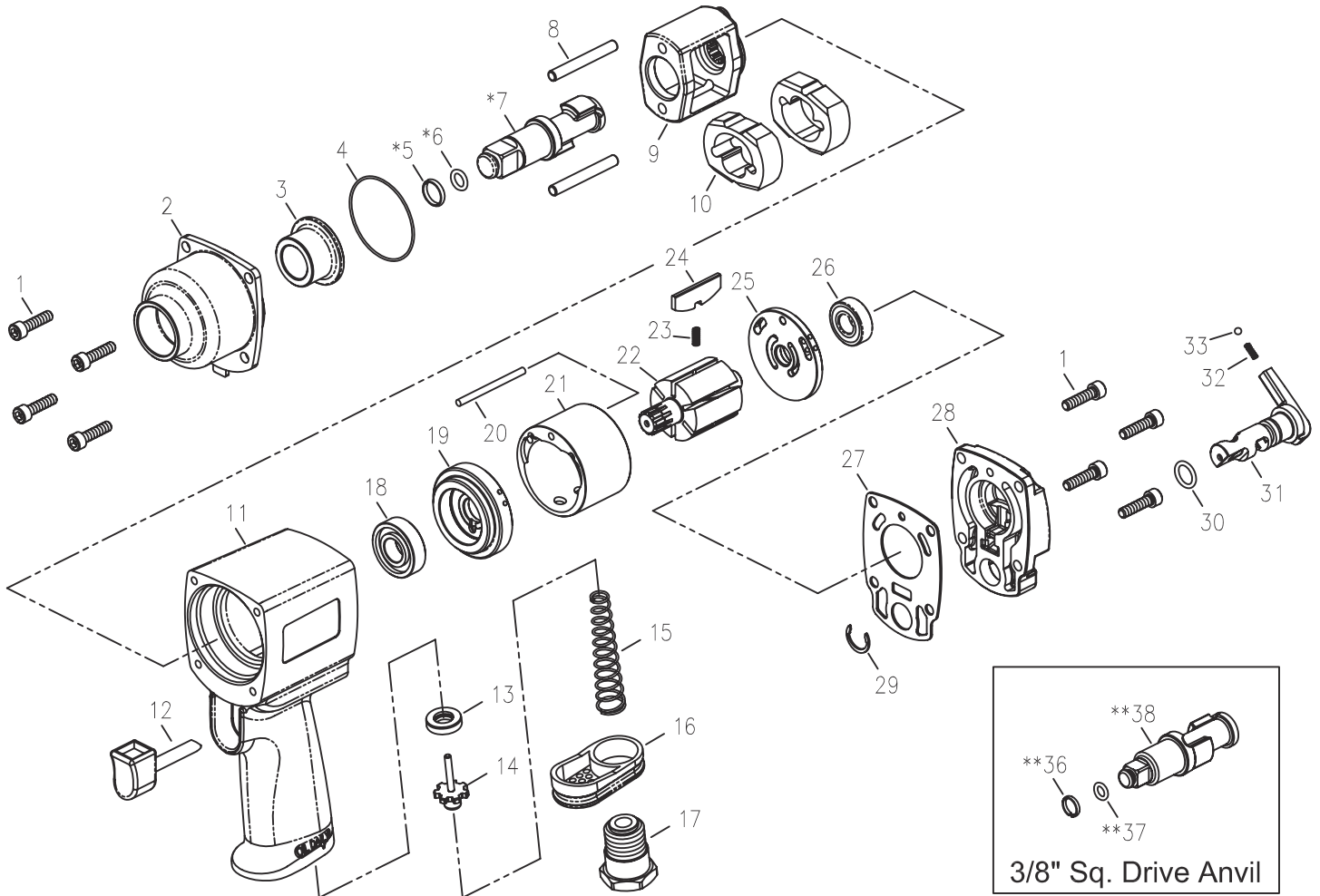


Technical Details	Speed	Square Drive	Max. Torque	Length	Weight	Air Consumption	Air Inlet	Noise (DB)	Uncertainty(DB)	Vibration	Working Pressure
	RPM		Nm/ft-lb	mm/inch	kg/lb	LPM / CFM	inch	LpA LwA	KpA KWA	m/s ²	Bar / PSI
23242	12.000	3/8	542 (400)	145(5.7)	1.6(3.5)	100 (3.5)	1/4	100 111	3	2.67	6.3(90)
24242	12.000	1/2	542 (400)	145(5.7)	1.6(3.5)	100 (3.5)	1/4	100 111	3	2.67	6.3(90)



Index No.	Description	Quantity	Index No.	Description	Quantity	Index No.	Description	Quantity
01	Screw	8	15	Spring	1	29	Retaining Ring	1
02	Clutch Housing	1	16	Exhaust Deflector	1	30	O-Ring	1
03	Anvil Bushing	1	17	Hose Fitting	1	31	Reverse Valve	1
04	O-Ring	1	18	Ball Bearing	1	32	Spring	1
*05	Anvil Collar	1	19	Front End Plate	1	33	Steel Ball	1
*06	O-Ring	1	20	Cylinder Pin	1	**36	Anvil Collar	1
*07	1/2" Sq. Drive Anvil	1	21	Cylinder	1	**37	O-Ring	1
08	Hammer Pin	2	22	Rotor	1	**38	3/8" Sq. Drive Anvil	1
09	Hammer Cage	1	23	Spring	6			
10	Hammer Dog	2	24	Rotor Blade	6			
11	Motor Housing	1	25	Rear End Plate	1			
12	Trigger	1	26	Ball Bearing	1			
13	Throttle Bushing	1	27	Gasket	1			
14	Valve Stem	1	28	Housing Cap	1			

* For 24242 Mini 1/2" Impact Wrench, ** For 23242 Mini 3/8" Impact Wrench