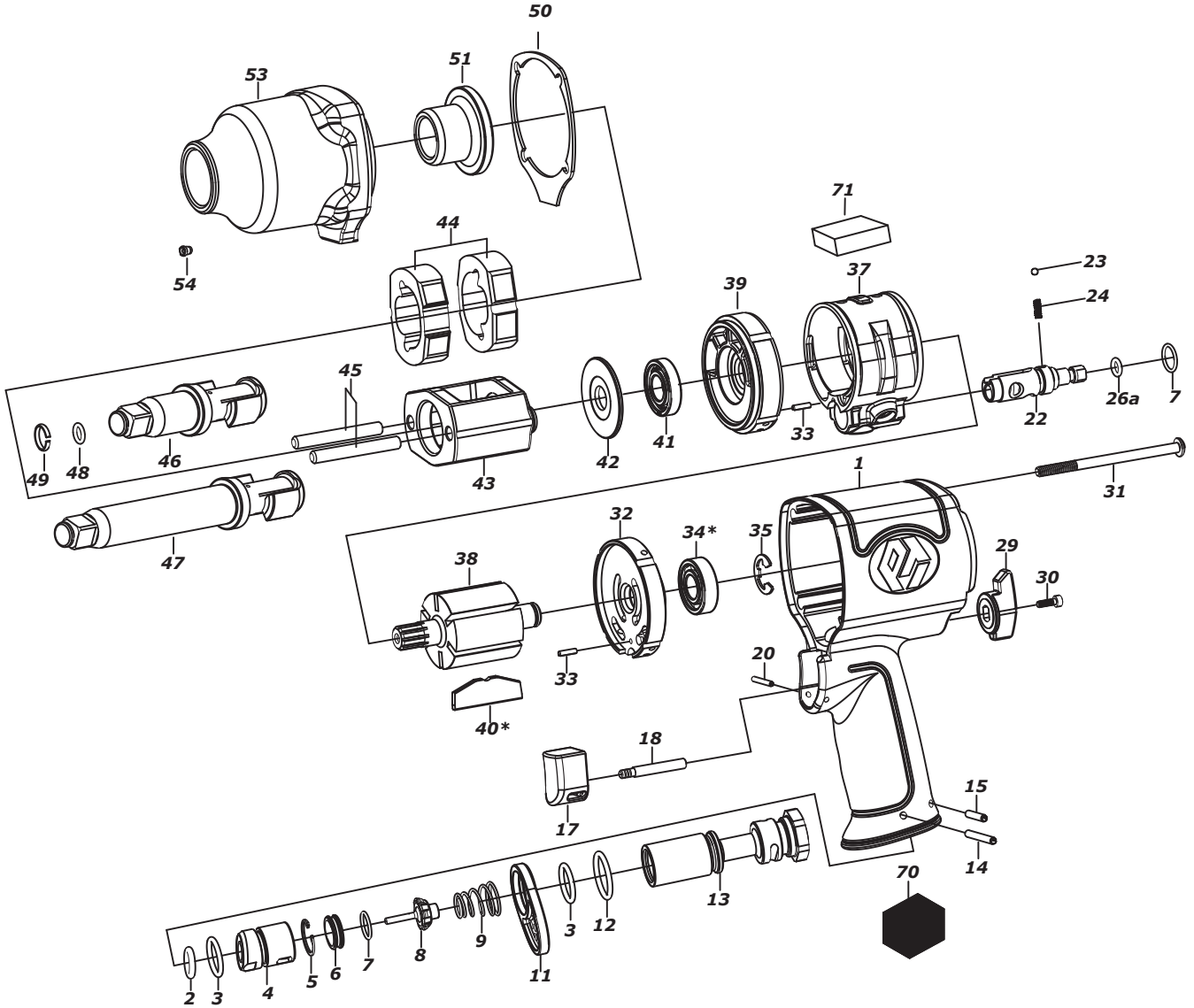


Technical Details	Speed RPM	Square Drive	Max. Torque Nm/ft-lb	Length mm/inch	Weight kg/lb	Air Consumption LPM / CFM	Air Inlet inch	Noise (DB) LpA LwA	Uncertainty(DB) KpA KwA	Vibration m/s ²	Working Pressure Bar / PSI
24200	8,000	1/2	880 (650)	184(7.2)	2.2(4.8)	113(4.0)	1/4	95.9 106.9	3	5.15	6.3(90)
24202	8,000	1/2	880 (650)	255(10)	2.3(5.0)	113(4.0)	1/4	94.9 105.9	3	3.73	6.3(90)



Index No.	Description	Quantity	Index No.	Description	Quantity	Index No.	Description	Quantity
01	Motor Housing	1	20	Pin	1	41	Bearing	1
02	O-Ring	1	22	Reverse Valve	1	42	Washer	1
03	O-Ring	2	23	Ball	1	43	Hammer Cage	1
04	Fuse Valve	1	24	Spring	1	44	Hammer	2
05	Retainer	1	26a	O-Ring	1	45	Hammer Pin	2
06	Valve Bushing	1	29	Regulator Knob	1	46	Anvil	1
07	O-Ring	2	30	Screw	1	47	2" Anvil (24202)	1
08	Throttle Valve Assembly	1	31	Screw	4	48	O-Ring	1
09	Air Inlet Spring	1	32	Front End Plate	1	49	Retainer Ring	1
11	Exhaust Deflector	1	33	Pin	2	50	Hammer Case Gasket	1
12	O-Ring	1	34	Bearing	1	51	Anvil Bushing	1
13	Air Inlet	1	35	Retainer	1	53	Hammer Case	1
14	Pin	1	37	Cylinder	1	54	Grease Fitting	1
15	Pin	1	38	Rotor	1	70	Muffler Element	1
17	Trigger	1	39	Rear End Plate	1	71	Muffler Element	1
18	Valve Stem	1	40	Blade	6			