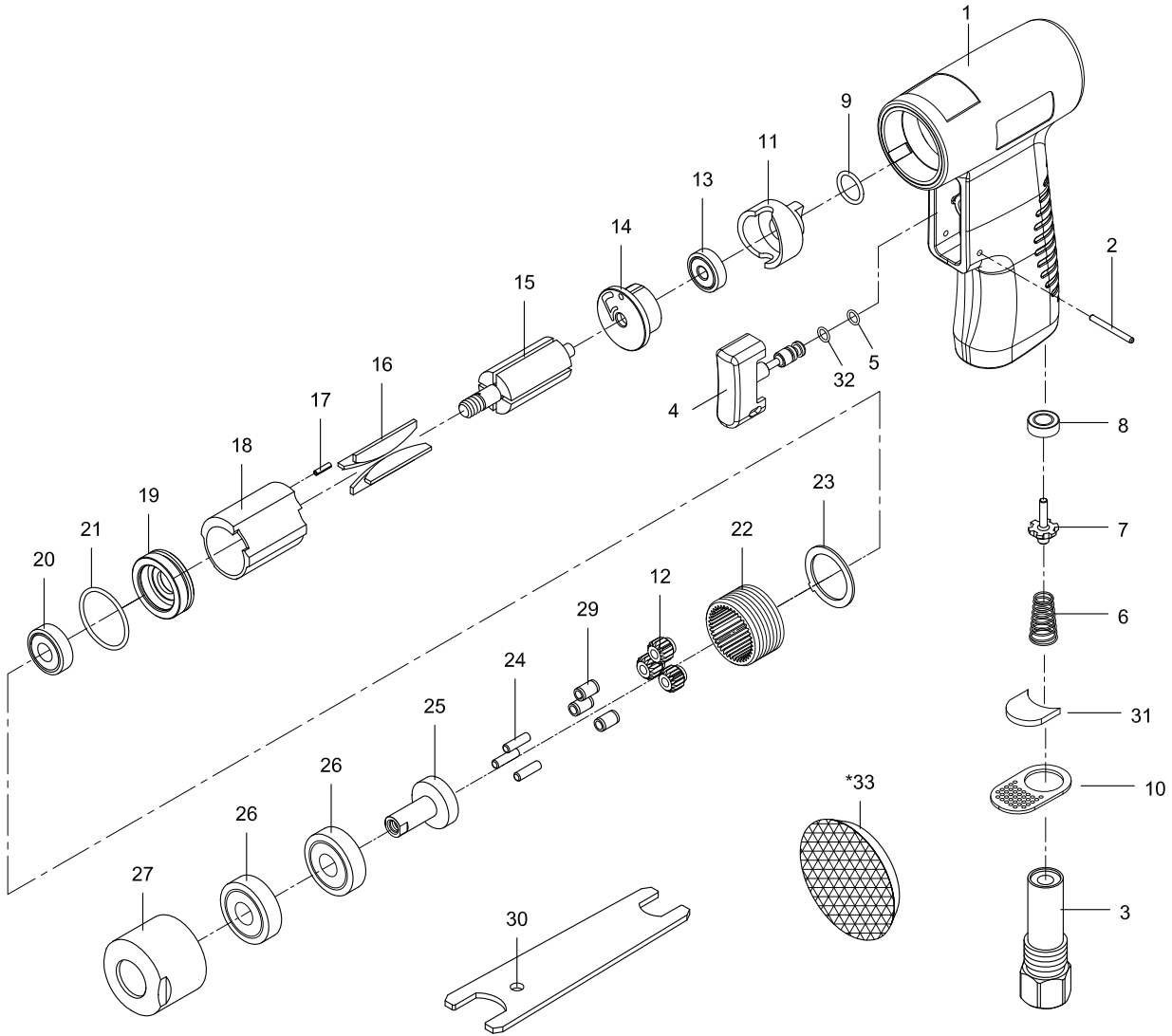


# MINI POLISHER



Index No.	Parts No.	Description	Index No.	Parts No.	Description
1	64-632101	Motor Housing	17	30117	Spring Pin (1.5x6)
2	PN02052208	Pin (2.5x22.8)	18	30118	Cylinder
3	64-632003	Air Inlet	19	600419-12	Front Plate
4	64-632004	Trigger	20	030120	Ball Bearing (608ZZ)
5	OR00500100-1	O-Ring (5x1)	21	OR02607108	O-Ring (26.7x1.78)
6	73108	Spring	22	600422	Internal Gear
7	75-725146	Valve Stem	23	600108	Spacer
8	600145	Rubber Spacer	24	30124	Pin (3) (4x13.8L)
9	72831	O-Ring (12.42x1.78)	25	600826	Work Spindle ( 5/16"-24UNF )
10	64-632010	Diffuser	26	060313	Ball Bearing (2) (6001Z)
11	600106	Air Regulator	27	600832	Clamp Nut
12	600423	Planet Gear (3)	29	600425	Bushing (3)
13	030113	Ball Bearing (626zz)	30	52227	Spanner (11mm & 17mm)
14	30114	Rear Plate	31	64-632028	Damping Material
15	600415	Rotor	32	72804	O-Ring (6.5x1.5)
16	30116	Rotor Blades (4)	33	600627V-31	3"Pad ( Velcro 5/16"-24UNF)

\*Optional parts

68-6321-0001

02.22.2011