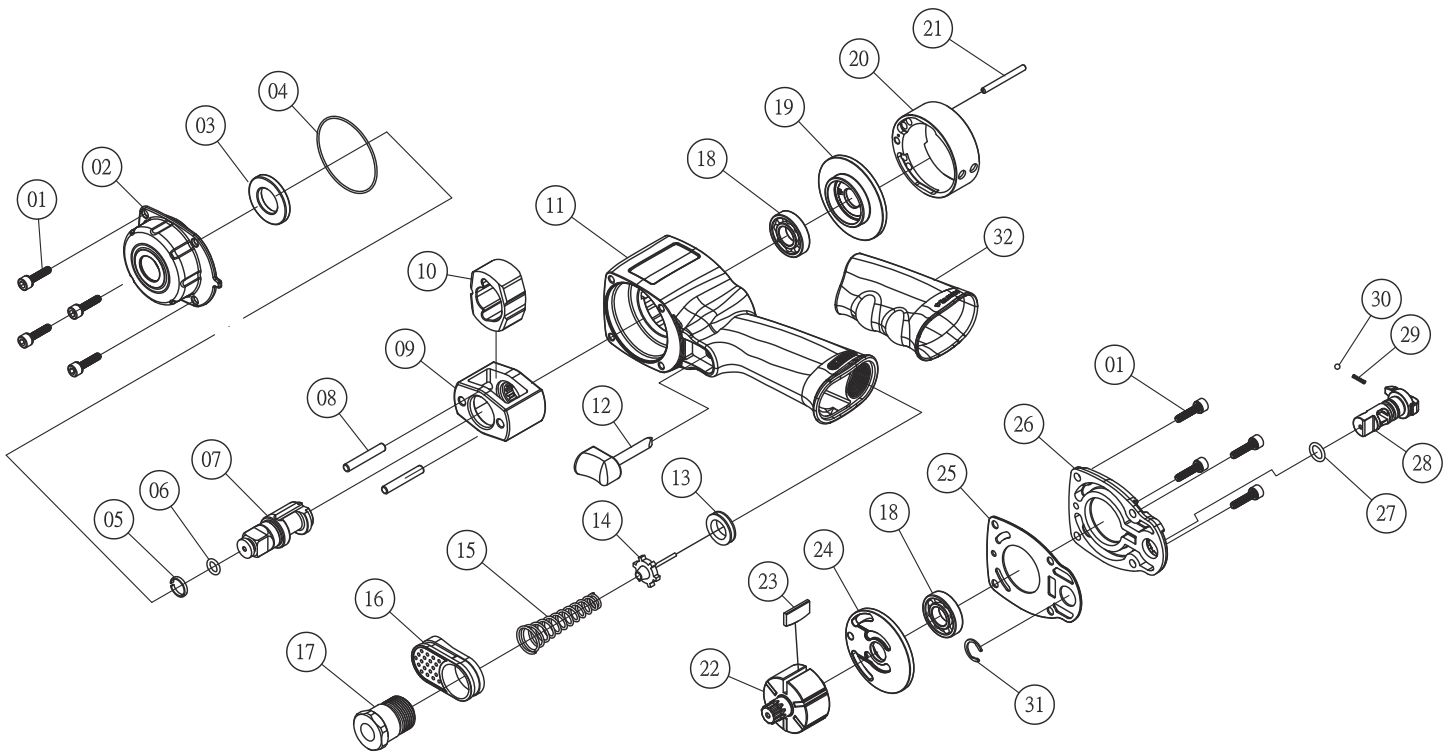


Technical Details	Speed	Square Drive	Max. Torque	Length	Weight	Air Consumption	Air Inlet	Noise (DB)	Uncertainty (DB)	Vibration	Working Pressure
	RPM		Nm/ft-lb	mm/inch	kg/lb	LPM / CFM	inch	LpA LwA	KpA KwA	m/s ²	Bar / PSI
24600	10,000	1/2	678 (500)	99 (3.9)	1.36 (3.0)	200 (7.06)	1/4	94	3	2.8	6.2(90)



Index No.	Description	Quantity	Index No.	Description	Quantity	Index No.	Description	Quantity
01	Screw	8	12	Trigger	1	23	Rottor Blade	6
02	Hammer Housing	1	13	Throttle Bushing	1	24	Rear Plate	1
03	Anvil Bushing	1	14	Valve Stem	1	25	Gasket	1
04	O-Ring	1	15	Spring	1	26	Housing Cap	1
05	Socket Retainer	1	16	Exhaust Deflector	1	27	O-Ring	1
06	Retainer O-Ring	1	17	Inlet Bushing	1	28	Reverse Valve	1
07	Anvil 1/2"	1	18	Ball Bearing	2	29	Spring	1
08	Hammer Pin	2	19	Front Plate	1	30	Steel Ball	1
09	Hammer Cage	1	20	Cylinder	1	31	Retainer	1
10	Hammer Dog	1	21	Cylinder Pin	1	32	Grip	1
11	Motor Housing	1	22	Rotor	1			

* Due to our continuous improvement, all specifications are subject to change without prior notice.