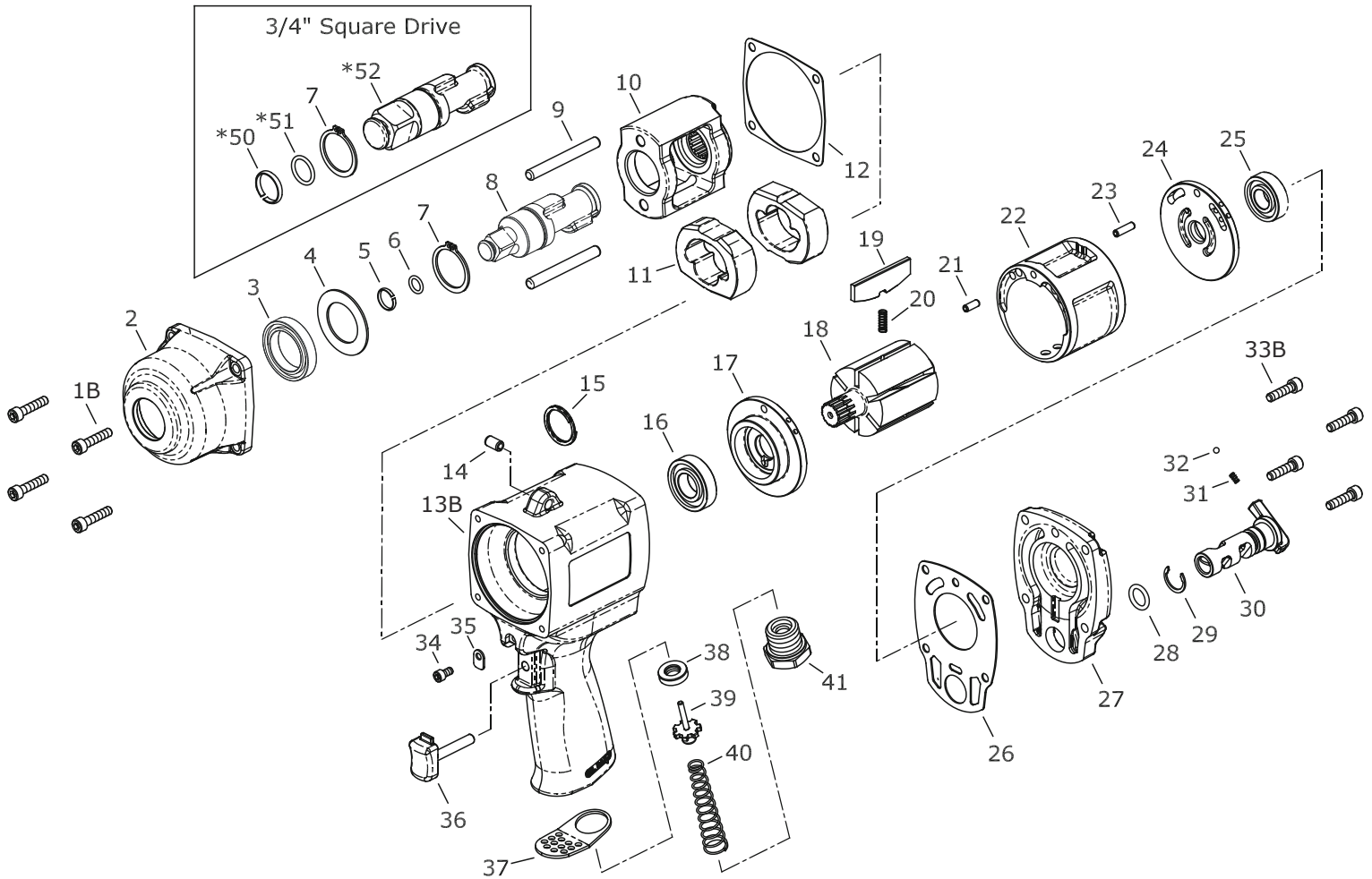


Technical Details	Speed RPM	Square Drive	Max. Torque Nm/ft-lb	Length mm/inch	Weight kg/lb	Air Consumption LPM / CFM	Air Inlet inch	Noise (DB) LpA LwA	Uncertainty (DB) KpA KwA	Vibration m/s ²	Working Pressure Bar / PSI
24209	7,500	1/2	1085 (800)	178 (7.0)	2.62 (5.7)	187 (6.6)	1/4	97.4 108.4	3	6.24	6.3(90)
26209		3/4	1049 (1100)	178 (7.0)	2.68 (5.9)					6.08	



Index No.	Description	Quantity	Index No.	Description	Quantity	Index No.	Description	Quantity
1B	Screw	4	16	Ball Bearing	1	31	Spring	1
2	Clutch Housing	1	17	Front End Plate	1	32	Steel Ball	1
3	Ball Bearing	1	18	Rotor	1	33B	Screw	4
4	Anvil Spacer	1	19	Rotor Blade	6	34	Screw	1
5	Socket Retainer (1/2")	1	20	Spring	6	35	Trigger Fixture	1
6	O-Ring (1/2")	1	21	Spring Pin	1	36	Trigger	1
7	Retaining Ring	1	22	Cylinder	1	37	Exhaust Deflector	1
8	Anvil (1/2")	1	23	Spring Pin	1	38	Throttle Bushing	1
9	Hammer Pin	2	24	Rear End Plate	1	39	Valve Stem	1
10	Hammer Cage	1	25	Ball Bearing	1	40	Spring	1
11	Hammer Dog	2	26	Gasket	1	41	House Fitting	1
12	Gasket	1	27	Housing Cap	1	*50	Socket Retainer (3/4")	1
13B	Motor Housing	1	28	O-Ring	1	*51	O-Ring (3/4")	1
14	Spring Pin	1	29	Retaining Ring	1	*52	Anvil (3/4")	1
15	Hanger	1	30	Reverse Valve	1			

* Parts for 3/4" Square drive