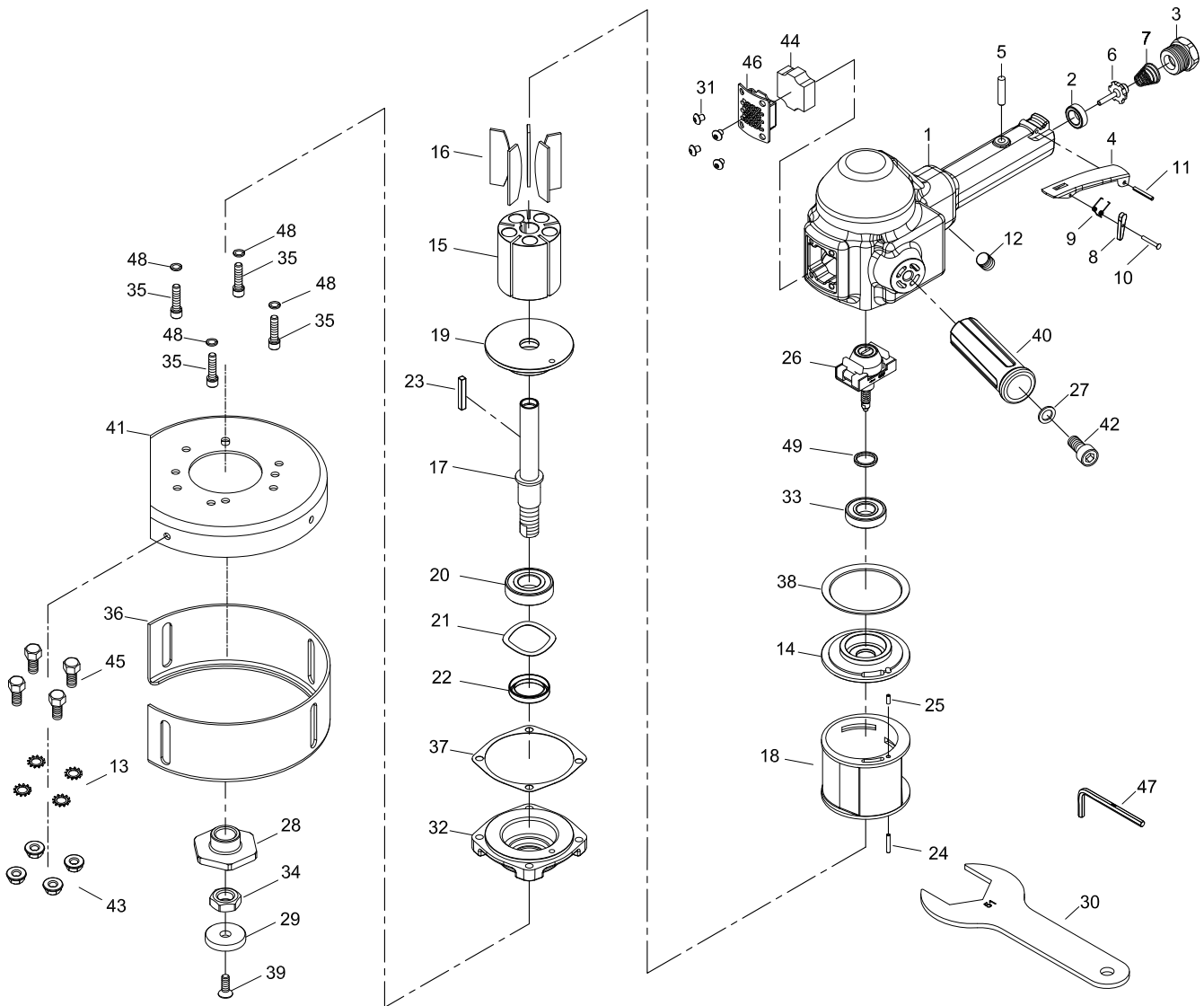


VERTICAL GRINDER



| Index No. | Parts No. | Description | Index No. | Parts No. | Description |
|-----------|------------|------------------------------|-----------|---------------|---------------------------|
| 1 | 5G-300V01 | Housing | 26 | 5G-300V11-11S | Governor Assembly |
| 2 | 5G-300V53 | Rubber Spacer | 27 | 5G-300V41 | Washer |
| 3 | 5G-300V03 | Air Inlet | 28 | 5G-300V28 | Wheel Flange |
| 4 | 5G-300V04 | Throttle Lever | 29 | 5F-300C11 | Collar |
| 5 | 5G-300V05 | Pin | 30 | 5G-300V30 | Spanner (51mm) |
| 6 | 5G-300V54 | Valve Stem | 31 | 5G-300V48 | Screw(4) (M5x6L) |
| 7 | 5G-300V08 | Spring | 32 | 5G-300V32 | Bearing Support |
| 8 | 5G-300V29 | Safety Bar | 33 | 0R10ZZ | Ball Bearing (R10ZZ) |
| 9 | 5G-300V31 | Spring | 34 | 5F-300C10 | Arbor Nut (5/8"-11UNC) |
| 10 | 5G-300V33 | Rivet (3x21.5L) | 35 | 5G-300V35 | Screw(4) (1/4"-20UNCx1"L) |
| 11 | SP05002400 | Spring Pin (5x24L) | 36 | 5F-300C44 | 6" Cup Guard |
| 12 | 5G-300V36 | Screw (M14x2x10L) | 37 | 5G-300V37 | Gasket |
| 13 | BW-8 | Out Toothed Washer(4) (BW-8) | 38 | 5G-300V38 | Gasket |
| 14 | 5G-300V14 | End Plate | 39 | 5F-300C12 | Screw (1/4"-28UNFX3/4"L) |
| 15 | 5G-300V15 | Rotor | 40 | 5G-300V40 | Handle |
| 16 | 5G-300V16 | Vane(5) | 41 | 5F-300C43 | 6" Cup Guard Seat |
| 17 | 5G-300V24 | Spindle | 42 | 5G-300V42 | Screw (M10x20L) |
| 18 | 5G-300V18 | Cylinder | 43 | 5F-300C49 | Nut(4) (5/16"-18UNC) |
| 19 | 5G-300V19 | Front End Plate | 44 | 5G-300V47 | Muffler |
| 20 | 0R12ZZ | Ball Bearing (R12ZZ) | 45 | 5F-300C48 | Screw(4) (5/16"-18UNC) |
| 21 | 5G-300V09 | Wavy Washer | 46 | 5G-300V46 | Exhaust Cover |
| 22 | 5G-300V39 | Seal | 47 | 5F-300C50 | HEX. Key Wrench (5/32") |
| 23 | 5G-300V23 | Key (3/16"x1 1/4"L) | 48 | 5G-300V27 | Spring Washer(4) |
| 24 | 40337 | Spring Pin (3x18L) | 49 | 5G-300V10 | Washer |
| 25 | 40317-14 | Spring Pin (3x8L) | | | |

5F-300C-0001