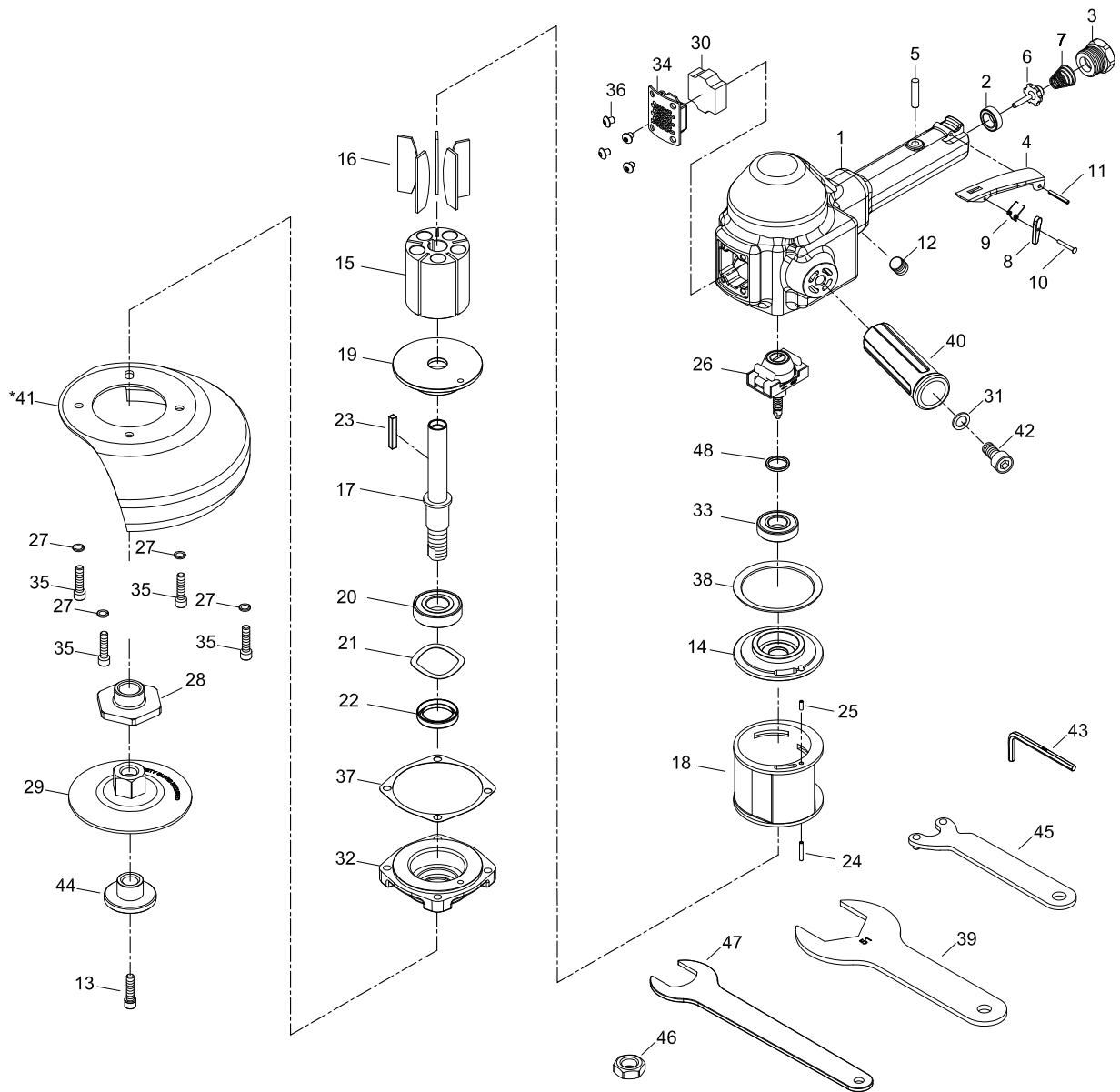


# VERTICAL GRINDER



Index No.	Parts No.	Description	Index No.	Parts No.	Description
1	5G-300V01	Housing	26	5G-300V11-11S	Governor Assembly
2	5G-300V53	Rubber Spacer	27	5G-300V27	Spring Washer(4)
3	5G-300V03	Air Inlet	28	5G-300V28	Wheel Flange
4	5G-300V04	Throttle Lever	29	5G-619727	Grindstone Base
5	5G-300V05	Pin	30	5G-300V47	Muffler
6	5G-300V54	Valve Stem	31	5G-300V41	Washer
7	5G-300V08	Spring	32	5G-300V32	Bearing Support
8	5G-300V29	Safety Bar	33	0R10ZZ	Ball Bearing (R10ZZ)
9	5G-300V31	Spring	34	5G-300V46	Exhaust Cover
10	5G-300V33	Rivet (3x21.5L)	35	5G-300V35	Screw(4) (1/4"-20UNFX1"L)
11	SP05002400	Spring Pin (5x24L)	36	5G-300V48	Screw(4) (M5x6L)
12	5G-300V36	Screw (M14x2x10L)	37	5G-300V37	Gasket
13	5G-300V45	Screw (1/4"-28UNFX3/4"L)	38	5G-300V38	Gasket
14	5G-300V14	End Plate	39	5G-300V30	Spanner (51mm)
15	5G-300V15	Rotor	40	5G-300V40	Handle
16	5G-300V16	Vane(5)	41	5G-300V43	7" Guard
17	5G-300V24	Spindle	42	5H-400V43	9" Guard
18	5G-300V18	Cylinder	42	5G-300V42	Screw (M10x20L)
19	5G-300V19	Front End Plate	43	10016	HEX. Key Wrench (3/16")
20	0R12ZZ	Ball Bearing (R12ZZ)	44	5G-300V44	Disc Nut
21	5G-300V09	Wave Washer	45	5G-641344	Pin Wrench
22	5G-300V39	Seal	46	5F-300C10	Nut (5/8"-11 UNC)
23	5G-300V23	Key (3/16x1 1/4"L)	47	5G-300V55	Spanner (1")
24	40337	Spring Pin (3x18L)	48	5G-300V10	Washer
25	40317-14	Spring Pin (3x8L)			

\*Optional Parts

5G-300V-0001  
5H-300V-0001